

# IVEGA KALAHARI



- Large lid Ø 400 mm in Methacrylate 25mm thickness
- Supplied with stainless steel VA4 gauge adaptor
- Supplied with stainless steel VA4 pressure gauge
- Screws and washers are in stainless steel VA4
- Supplied with nickel plated brass anti-galling nuts
- Extended filtration media bed height
- Large sand drain of 2" / and water drain of 1/4"
- Water drain valve kit
- Filtration arm slots of 0,25mm
- Ozone resistant internal coating;
- Upper internal kit union for ease of maintenance
- Test pressure 3,75 bar
- DIN EN 16716 Compliant



# IVEGA KALAHARI



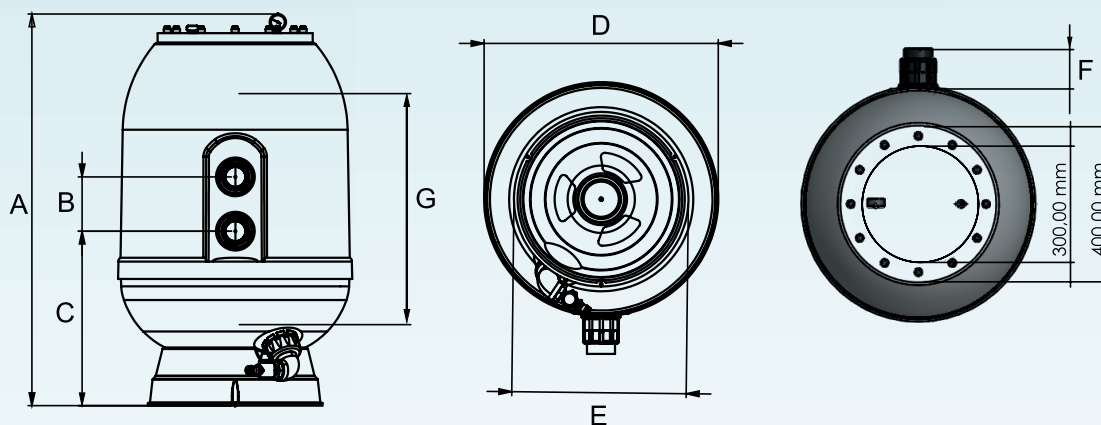
Largest drain on the market with drain valve kit



Cover in transparent Methacrylate for high mechanical & chemical resistance



Large robust unions in black High Impact ABS. Designed with a large flat protruding surface to support various dimensions of valve kits and threads.



Code	Ø mm	Flow Rate m <sup>3</sup> /h	Conn.	A mm	B mm	C mm	D mm	E mm	F mm	G Height of media bed	Media kg	Filtration surface	Weight kg	Packing dimensions LxWxH mm
0166100	500	10	50	946	125	455	520	450	90	520	125	0,20	25	550x550x1100
0166101	600	14	50	1010	125	465	620	450	90	550	175	0,28	27	650x650x1000
0166102	600	16	63	1010	140	450	620	450	100	550	175	0,28	28	650x650x1000
0166103	750	22	63	1115	140	550	770	650	100	600	375	0,44	40	800x800x1100
0166104	900	32	63	1150	140	625	930	650	100	620	550	0,64	46	950x950x1150